



Monthly Update:

Lockhart High School Additions & Renovations

Huckabee and OBR are working with district personnel on the detailed final construction documents that will be used for the bidding, permitting and construction of the project. Coordination and requirements for CTE programs, fine arts, and athletic locker rooms, field house and stadium are being finalized.

The interior and exterior materials have been selected and the design team continues to work on construction details in the documents. Detailed information for mechanical, electrical, and data infrastructure is being coordinated into the documents.

Technology meetings with district staff and design team have developed criteria for clock, bell, and PA systems, along with standards for technology in the classrooms. Infrastructure for new security surveillance and access control systems have been developed. OBR and the technology staff will begin working on bid documents for procurement of these new systems under the FF&E budget. Existing building systems are being identified for temporary relocation and extended use during the construction phasing.

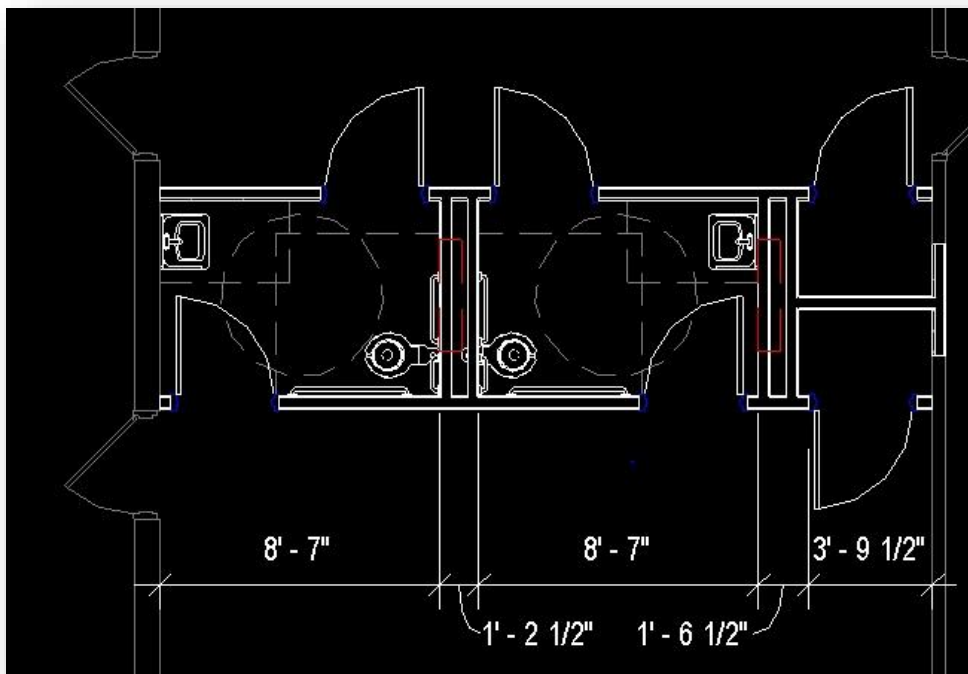
Huckabee, OBR and their consultants continue to work with the city officials regarding utilities, landscape criteria, traffic flow, and fire lanes. A tree removal permit has been approved by city council to allow for the new construction footprint.

Bartlett-Cocke and OBR continue working with staff on the details of the project phasing and cost estimating for construction. The next relocation milestone is planned for the Administration offices to relocate in April-May 2015 to prepare for construction start-up.

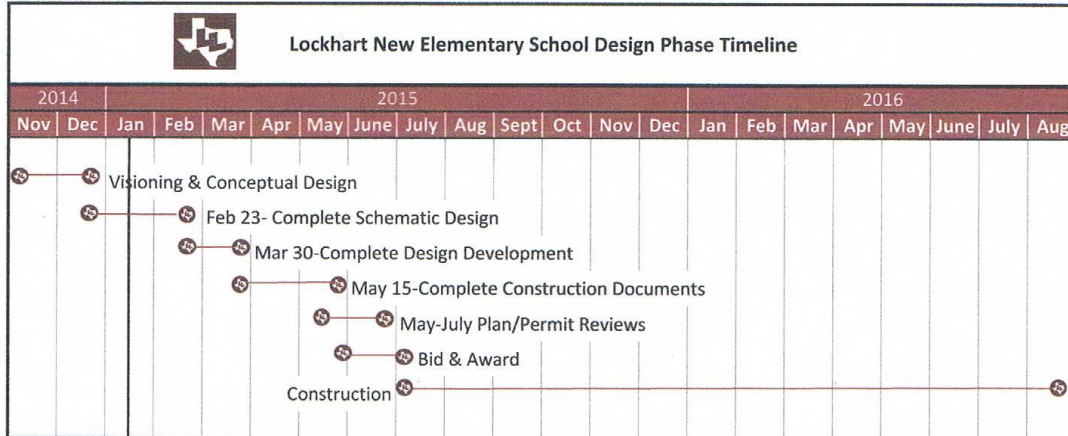
High School – Abatement of Floor Tile



Clear Fork Elementary – Restroom Renovation Schematic



New Elementary School



OBR and Huckabee compiled the visioning responses and data and identified numerous variations of the program for district comparison with the original bond program. Together, the team has fine-tuned the programming of the spaces in order for the Conceptual Design phase to begin.

The visioning committee worked together with Huckabee’s design team to identify numerous concepts for the new school. These concepts are being developed for a final decision this month. Once the concept has been determined, the architectural team will begin the Schematic Design phase of the project.

OBR and the district continue to work on obtaining the property on FM 1185 for the new elementary school site and believe the district will have this property under contract in the very near future.

District Wide Capital Improvements

Huckabee continues to work on schematic design documents for the restroom and front entrance improvements at Clear Fork Elementary. The asbestos consultant has completed the sampling and testing of materials in the proposed renovation areas and bid documents are in production for the abatement scope of work.

Mechanical engineers have responded to the RFQ for the design and construction documents for HVAC installation at the elementary gymnasiums. We anticipate the consultant to be under contract this month. A civil engineer will be contracted for improvements at Carver Kindergarten for the new traffic loop and parking.

Looking Ahead:

- **January 12-23** – Follow-up meetings with Departments and confirm equipment specs.
- **January 23** – District review comments coordinated with consultants on LHS 50% CDs.
- **February 2-6** – Finalize construction phasing details and specific relocation spaces.